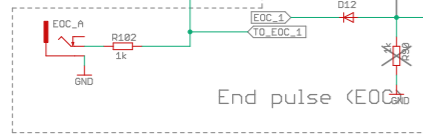
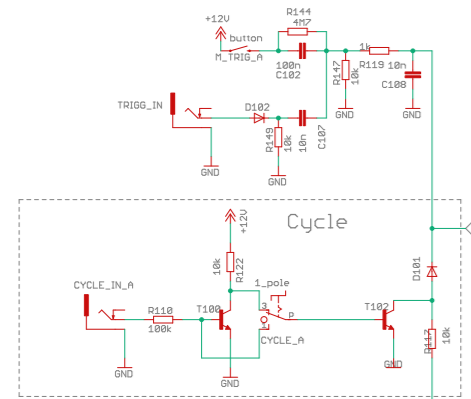
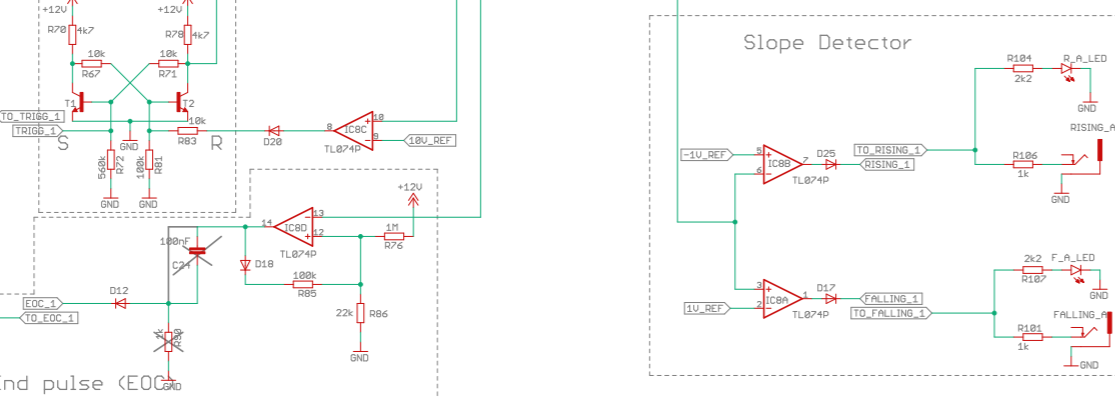
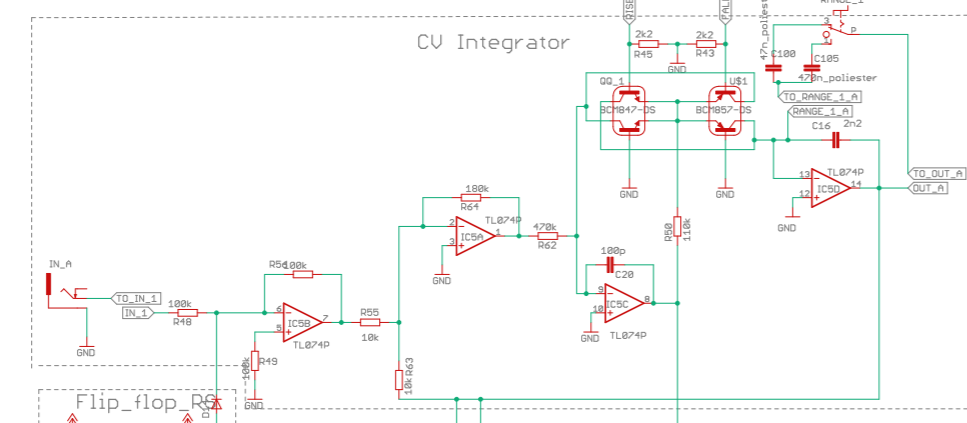
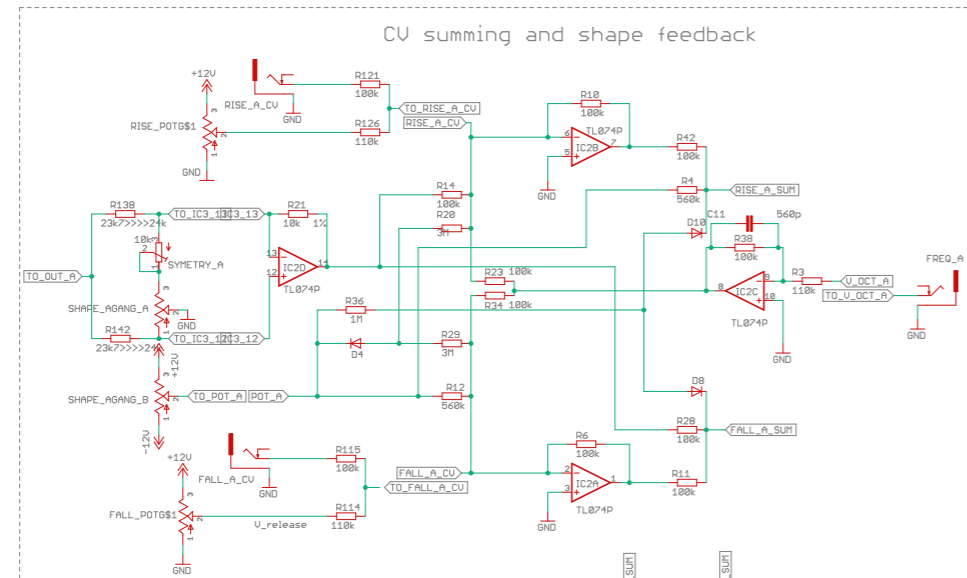
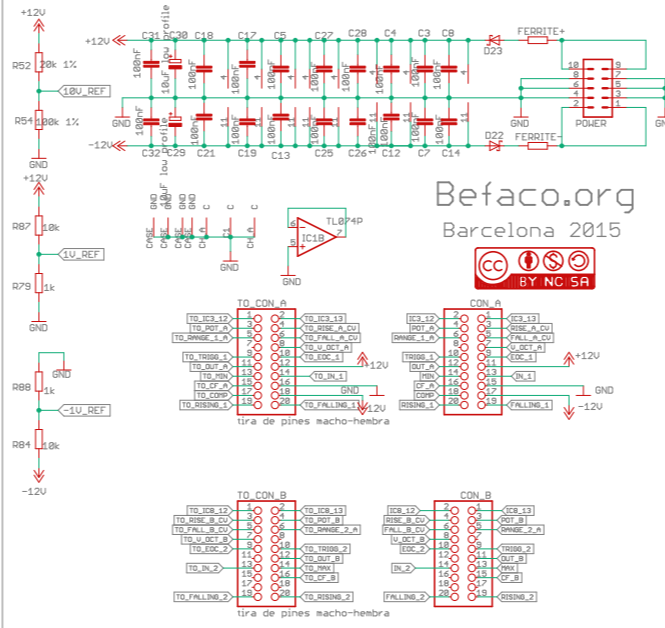
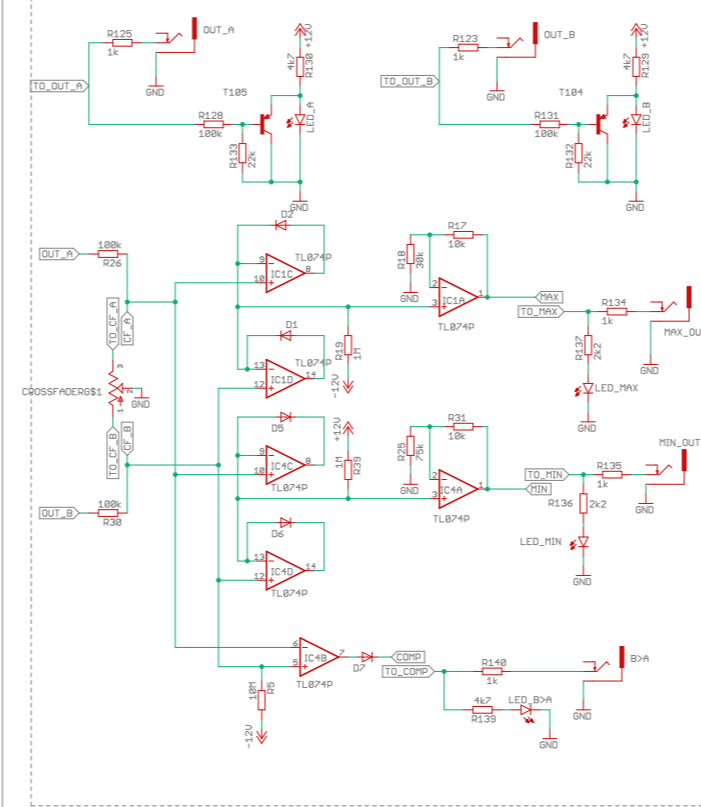


Slope A



AND-OR-Comparator (Outs+mix stage)



Slope B

